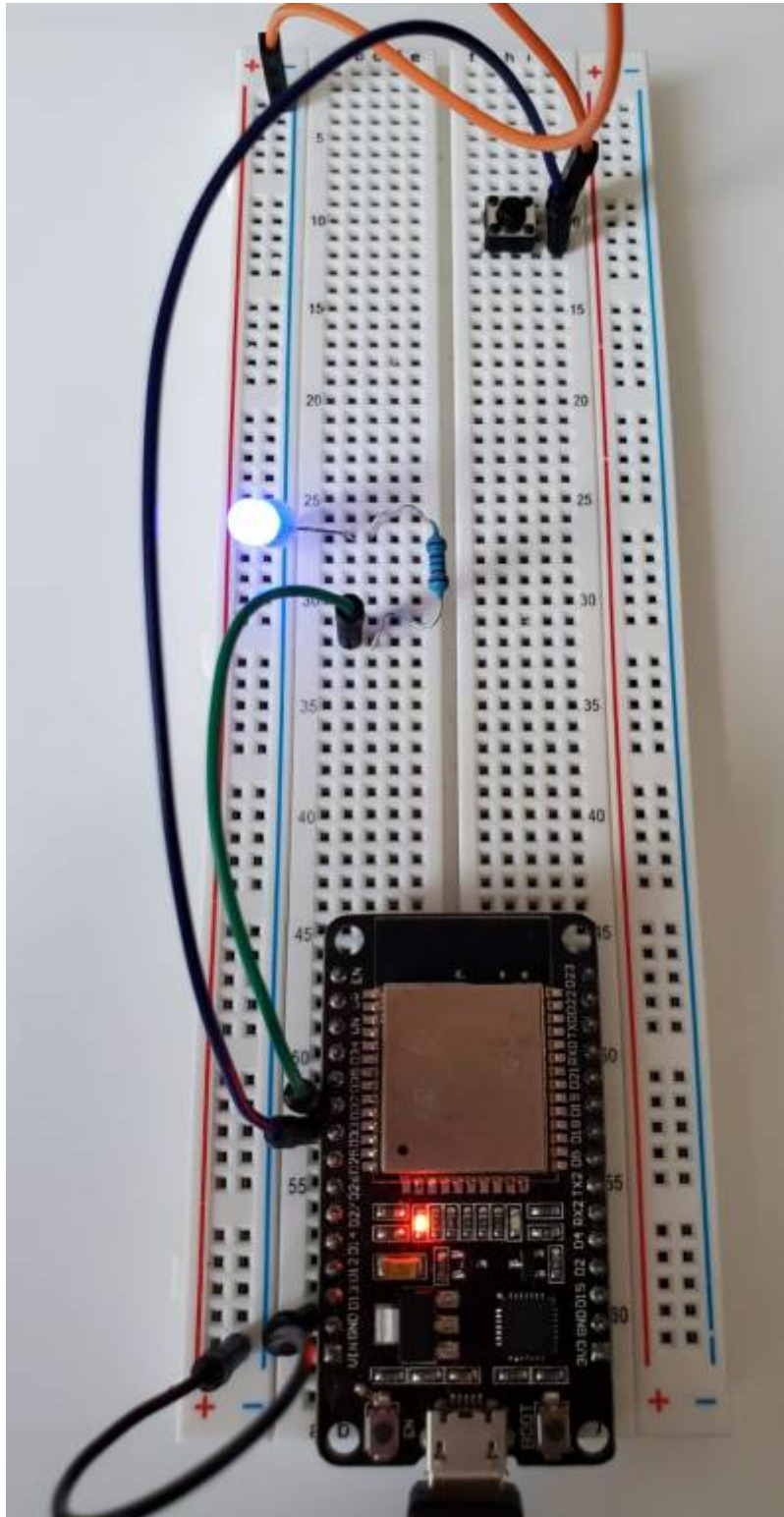
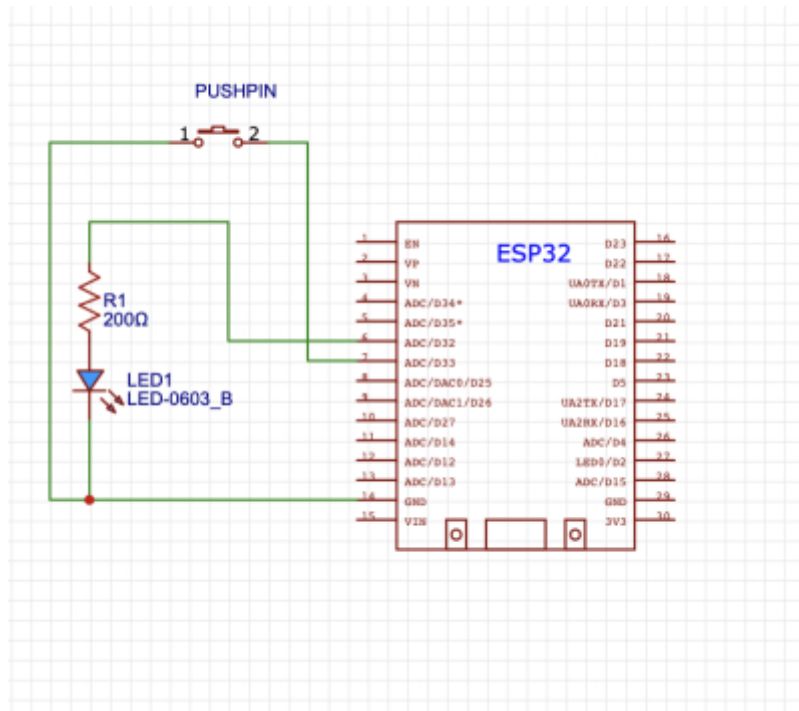


# Build





## Code

```

*/There are 2 ways to wake up a system, those are called Interrupts
*/hardware Interrupts is based on external events where signals are sent to
the GPIO
*/Software Interrupts occur when we program the device like through a wake
up alarm or timer

#define uS_TO_S_FACTOR 1000000          */Equation to convert milliseconds
to Minutes
#define TIME_TO_SLEEP  10              */Determined amount of minutes at
sleep

RTC_DATA_ATTR int bootCount = 0;

*/Keeps data of times awaken in internal RTC

*****Wake Up Print
*****

void print_wakeup_reason(){              */Set up to list reasons for
system wake-up
    esp_sleep_wakeup_cause_t wakeup_reason;

    wakeup_reason = esp_sleep_get_wakeup_cause(); */System wakes up due to
3 reasons
    
```

```

switch(wakeup_reason)
{
  case ESP_SLEEP_WAKEUP_EXT0 : Serial.println("PUSHED BUTTON caused the
system to WAKEUP"); break;
  case ESP_SLEEP_WAKEUP_TIMER : Serial.println("TIMER caused the system to
WAKEUP"); break;
  default : Serial.printf("DeepSleep didn't wake up ESP32:
%d\n",wakeup_reason); break;   */Initial Boot will yield this reason
}
}

*/We made the system wake up due to the internal timer and a pushed button,
the reason for the push button is that in the case we want to take a
measurement at our will without having to wait for the timers.

void setup(){
  Serial.begin(115200);
  delay(1000);

  pinMode(32,OUTPUT);           */Illuminates a LED when the system is awake.
For visual confirmation.

  pinMode(33,INPUT_PULLUP);

  */ESP32 has pull-up resistors built on the pins, when we activate it
*/it avoids the use of external resistors
*/INPUT_PULLUP keeps the signal HIGH by default
*/floating currents which can produce erroneous readings are avoided by
pull up/down resistors

  for(int i=0;i<5;i++)
  {
    digitalWrite(32,HIGH);      */ This are the parameters for the LED
flashing
    delay(1000);
    digitalWrite(32,LOW);
    delay(1000);
  }

  ++bootCount;
  Serial.println("Reboot count number: " + String(bootCount));   */We
want to know how many times the system has booted
                                                                    */easy
way to know if there are issues internal or battery
                                                                    */issues

```

```
print_wakeup_reason();

esp_sleep_enable_ext0_wakeup(GPIO_NUM_33,0);

*/During Sleep only Pins connected to the RTC are operational
*/A General Purpose Input/output pin are used to perform digital readings
and output functions.
*/By default those pins have no predefined purpose.
*/The pin used has to be named after their GPIO

esp_sleep_enable_timer_wakeup(TIME_TO_SLEEP * uS_TO_S_FACTOR);

Serial.println("ESP32 is going into DeepSleep for " +
String(TIME_TO_SLEEP) +
" Seconds");

Serial.println("Going to sleep now.....");
delay(1000);
Serial.flush();
esp_deep_sleep_start();

}
```

## Description

## Results

```
rst:0x1 (POWERON_RESET),boot:0x13 (SPI_FAST_FLASH_BOOT)
configsip: 0, SPIWP:0xee
clk_drv:0x00,q_drv:0x00,d_drv:0x00,cs0_drv:0x00,hd_drv:0x00,wp_drv:0x00
mode:DIO, clock div:1
load:0x3fff0030,len:1344
load:0x40078000,len:13516
load:0x40080400,len:3604
entry 0x400805f0
Reboot count number: 1
DeepSleep didn't wake up ESP32: 0
ESP32 is going into DeepSleep for 10 Seconds
Going to sleep now.....
ets Jun  8 2016 00:22:57
```

```
rst:0x5 (DEEPSLEEP_RESET),boot:0x13 (SPI_FAST_FLASH_BOOT)
configsip: 0, SPIWP:0xee
clk_drv:0x00,q_drv:0x00,d_drv:0x00,cs0_drv:0x00,hd_drv:0x00,wp_drv:0x00
mode:DIO, clock div:1
load:0x3fff0030,len:1344
load:0x40078000,len:13516
load:0x40080400,len:3604
entry 0x400805f0
Reboot count number: 2
TIMER caused the system to WAKEUP
ESP32 is going into DeepSleep for 10 Seconds
Going to sleep now.....
ets Jun  8 2016 00:22:57
```

```
rst:0x5 (DEEPSLEEP_RESET),boot:0x13 (SPI_FAST_FLASH_BOOT)
configsip: 0, SPIWP:0xee
clk_drv:0x00,q_drv:0x00,d_drv:0x00,cs0_drv:0x00,hd_drv:0x00,wp_drv:0x00
mode:DIO, clock div:1
load:0x3fff0030,len:1344
load:0x40078000,len:13516
load:0x40080400,len:3604
entry 0x400805f0
Reboot count number: 3
PUSHED BUTTON caused the system to WAKEUP
ESP32 is going into DeepSleep for 10 Seconds
Going to sleep now.....
ets Jun  8 2016 00:22:57
```

From:  
<https://student-wiki.eolab.de/> - **HSRW EOLab Students Wiki**

Permanent link:  
<https://student-wiki.eolab.de/doku.php?id=amc2022:grouph:here&rev=1662741686>

Last update: **2023/01/05 14:38**

